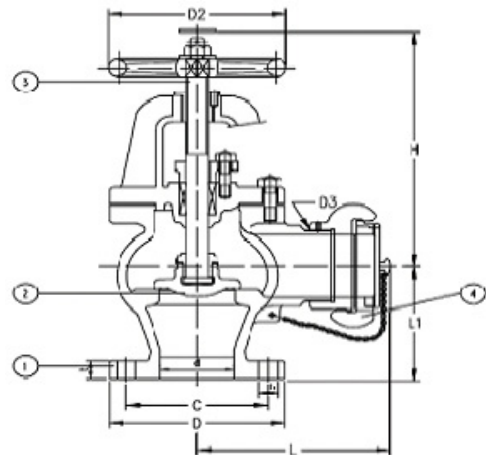
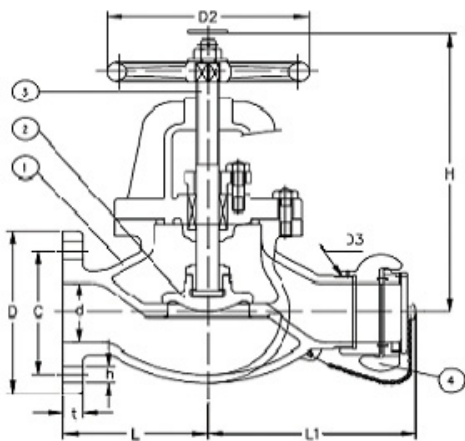




MARINE CAST IRON HOSE GLOBE VALVE - JIS F7333

MARINE CAST IRON HOSE ANGLE VALVE - JIS F7333

Manufactured in accordance to JIS F7400
Flanges as per JIS B2220 - 5K or 10K



No.	Component	Material
1	Body	Cast Iron
2	Disc	Bronze
3	Stem	Brass
4	Coupling	Bronze

Nominal Pressure	Test Pressure MPa [kgf/cm ²]		
	Body	Seat	Base connection
5K	1.03[10.5]	0.76[7.7]	0.69[7]
10K	2.06[21]	1.51[15.4]	1.37[14]

Type	Size	L	L1	L2	D	C	n-h	t	H	D2	a	Kg
HOSE GLOBE	5K-50A	165	105	110	130	105	4-15	16	270	160	8	14.7
	10K-50A	170	110	115	155	120	4-19	20	285	160	10	18.9
	10K-65A	200	135	140	175	140	4-19	22	310	200	11	28.2
HOSE ANGLE	5K-50A	155	100	100	130	105	4-15	16	240	160	8	12.8
	10K-50A	170	120	115	155	120	4-19	20	255	160	10	17
	10K-65A	185	130	125	175	140	4-19	22	270	200	11	24.3